



# SGM321XC5

## 1MHz, 60 $\mu$ A, Rail-to-Rail I/O CMOS Operational Amplifier

---

### GENERAL DESCRIPTION

The SGM321XC5 is a single, low cost, voltage feedback amplifier. The device can operate from 2.1V to 5.5V single supply, while consuming only 60 $\mu$ A quiescent current. It provides rail-to-rail input with a wide input common mode voltage range and rail-to-rail output voltage swing. This feature makes SGM321XC5 appropriate for buffering ASIC.

The SGM321XC5 offers a gain-bandwidth product of 1MHz and an ultra-low input bias current of 10pA. It is well suited for piezoelectric sensors, integrators and photodiode amplifiers.

The SGM321XC5 is designed into a wide range of applications, such as battery-powered instrumentation, safety monitoring, portable systems, and transducer interface circuits in low power systems.

The SGM321XC5 is available in a Green SC70-5 package. It is specified over the extended -40 $^{\circ}$ C to +125 $^{\circ}$ C temperature range.

### FEATURES

- **Low Cost**
- **Input Offset Voltage: 5mV (MAX)**
- **Ultra-Low Input Bias Current: 10pA**
- **Unity-Gain Stable**
- **Gain-Bandwidth Product: 1MHz**
- **Rail-to-Rail Input and Output**
- **Supply Voltage Range: 2.1V to 5.5V**
- **Input Voltage Range: -0.1V to 5.6V with  $V_S = 5.5V$**
- **Low Supply Current: 60 $\mu$ A**
- **-40 $^{\circ}$ C to +125 $^{\circ}$ C Operating Temperature Range**
- **Available in a Green SC70-5 Package**

### APPLICATIONS

ASIC Input or Output Amplifiers  
Piezoelectric Transducer Amplifiers  
Battery-Powered Equipment  
Portable Equipment  
Sensor Interfaces  
Medical Instrumentation  
Mobile Communications  
Audio Outputs  
Smoke Detectors  
Notebook PCs  
PCMCIA Cards  
DSP Interfaces

**PACKAGE/ORDERING INFORMATION**

MODEL	PACKAGE DESCRIPTION	SPECIFIED TEMPERATURE RANGE	ORDERING NUMBER	PACKAGE MARKING	PACKING OPTION
SGM321XC5	SC70-5	-40°C to +125°C	SGM321XC5/TR	321	Tape and Reel, 3000

Green (RoHS & HSF): SG Micro Corp defines "Green" to mean Pb-Free (RoHS compatible) and free of halogen substances. If you have additional comments or questions, please contact your SGMICRO representative directly.

**ABSOLUTE MAXIMUM RATINGS**

Supply Voltage, +V<sub>S</sub> to -V<sub>S</sub>.....6V  
 Input Common Mode Voltage Range  
 ..... (-V<sub>S</sub>) - 0.3V to (+V<sub>S</sub>) + 0.3V  
 Package Thermal Resistance @ T<sub>A</sub> = +25°C  
 SC70-5, θ<sub>JA</sub>..... 333°C/W  
 Junction Temperature.....+150°C  
 Storage Temperature Range .....-65°C to +150°C  
 Lead Temperature (Soldering, 10s).....+260°C  
 ESD Susceptibility  
 HBM.....4000V  
 MM.....400V

can cause damage. ESD damage can range from subtle performance degradation to complete device failure. Precision integrated circuits may be more susceptible to damage because even small parametric changes could cause the device not to meet the published specifications.

**DISCLAIMER**

SG Micro Corp reserves the right to make any change in circuit design, or specifications without prior notice.

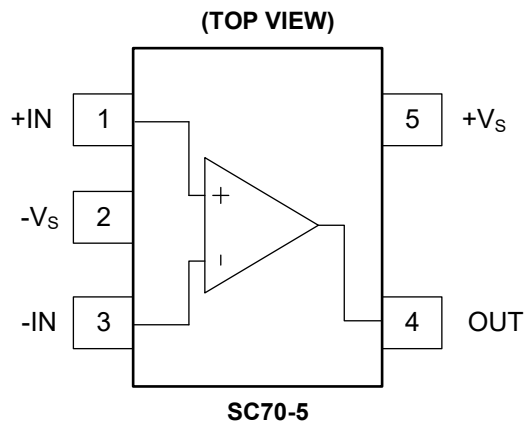
**RECOMMENDED OPERATING CONDITIONS**

Operating Temperature Range .....-40°C to +125°C

**OVERSTRESS CAUTION**

Stresses beyond those listed in Absolute Maximum Ratings may cause permanent damage to the device. Exposure to absolute maximum rating conditions for extended periods may affect reliability. Functional operation of the device at any conditions beyond those indicated in the Recommended Operating Conditions section is not implied.

**PIN CONFIGURATION**



**ESD SENSITIVITY CAUTION**

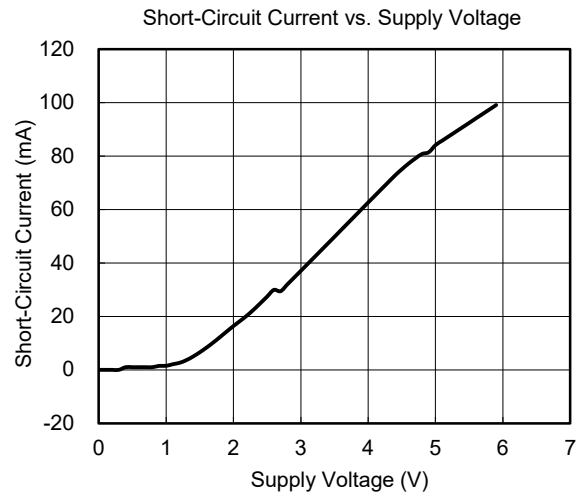
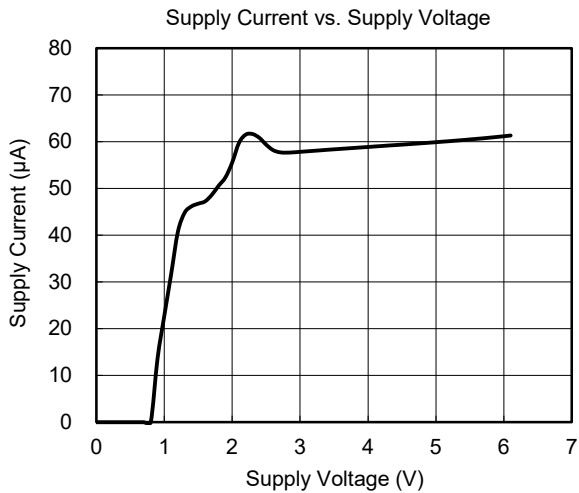
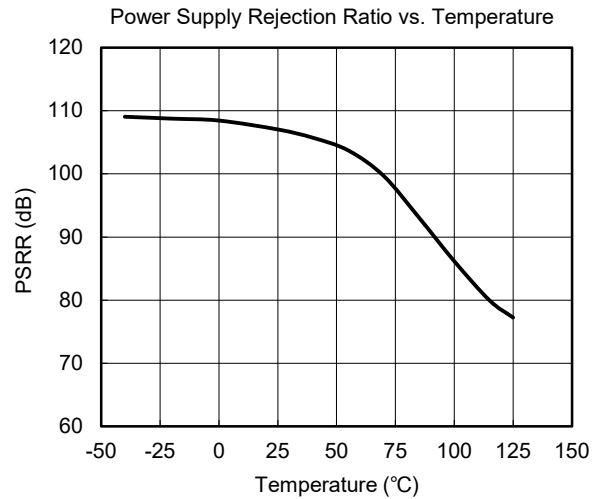
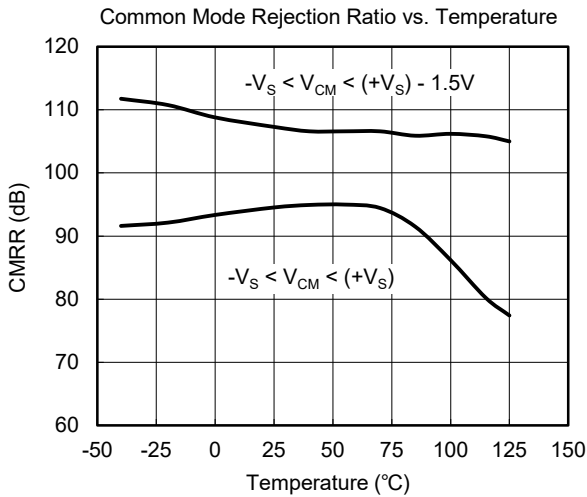
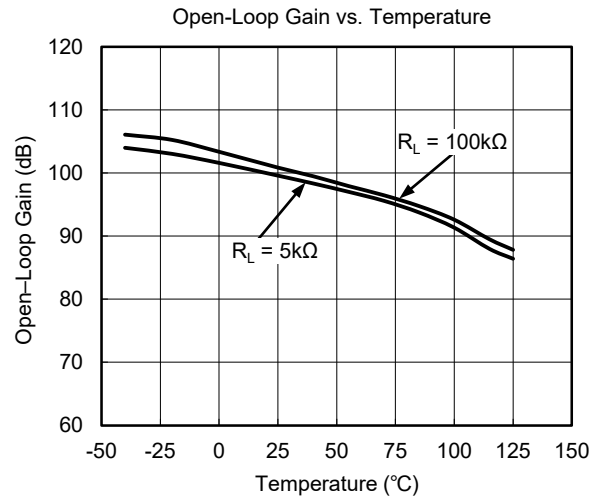
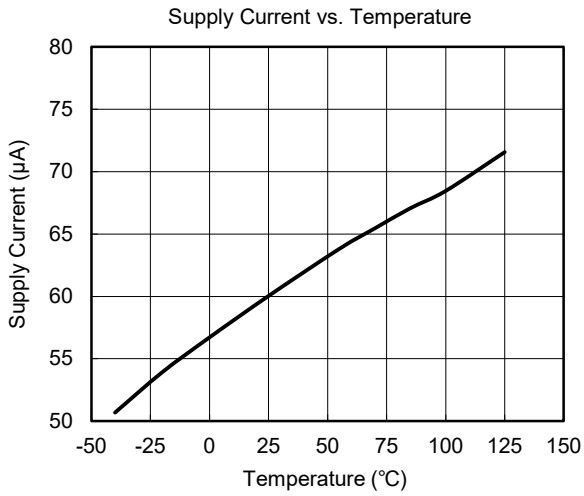
This integrated circuit can be damaged if ESD protections are not considered carefully. SGMICRO recommends that all integrated circuits be handled with appropriate precautions. Failure to observe proper handling and installation procedures

**ELECTRICAL CHARACTERISTICS**(At  $V_S = 5V$ ,  $R_L = 100k\Omega$  connected to  $V_S/2$ , and  $V_{OUT} = V_S/2$ , unless otherwise noted.)

PARAMETER	SYMBOL	CONDITIONS	SGM321XC5					
			TYP	MIN/MAX OVER TEMPERATURE			UNITS	MIN/MAX
			+25°C	+25°C	-40°C to +125°C			
<b>Input Characteristics</b>								
Input Offset Voltage	$V_{OS}$	$V_{CM} = V_S/2$	0.8	5	6	mV	MAX	
Input Offset Voltage Drift	$\Delta V_{OS}/\Delta T$		2.7			$\mu V/^\circ C$	TYP	
Input Bias Current	$I_B$		10			pA	TYP	
Input Offset Current	$I_{OS}$		10			pA	TYP	
Input Common Mode Voltage Range	$V_{CM}$	$V_S = 5.5V$	-0.1 to 5.6			V	TYP	
Common Mode Rejection Ratio	CMRR	$V_S = 5.5V, V_{CM} = -0.1V$ to 4V	70	62	60	dB	MIN	
		$V_S = 5.5V, V_{CM} = -0.1V$ to 5.6V	68	56	53			
Open-Loop Voltage Gain	$A_{OL}$	$R_L = 5k\Omega, V_{OUT} = 0.1V$ to 4.9V	80	70	68	dB	MIN	
		$R_L = 100k\Omega, V_{OUT} = 0.035V$ to 4.965V	84	80	72			
<b>Output Characteristics</b>								
Output Voltage Swing from Rail	$V_{OH}$	$R_L = 100k\Omega$	4.997	4.980	4.960	V	MIN	
	$V_{OL}$	$R_L = 100k\Omega$	5	20	40	mV	MAX	
	$V_{OH}$	$R_L = 10k\Omega$	4.992	4.970	4.950	V	MIN	
	$V_{OL}$	$R_L = 10k\Omega$	8	30	50	mV	MAX	
Output Current	$I_{SOURCE}$	$R_L = 10\Omega$ to $V_S/2$	84	60	40	mA	MIN	
	$I_{SINK}$		75	60	40			
<b>Power Supply</b>								
Operating Voltage Range				2.1	2.5	V	MIN	
				5.5	5.5	V	MAX	
Power Supply Rejection Ratio	PSRR	$V_S = 2.5V$ to 5.5V, $V_{CM} = 0.5V$	82	60	56	dB	MIN	
Quiescent Current	$I_Q$		60	80	84	$\mu A$	MAX	
<b>Dynamic Performance (<math>C_L = 100pF</math>)</b>								
Gain-Bandwidth Product	GBP		1			MHz	TYP	
Slew Rate	SR	$G = +1, 2V$ Output Step	0.52			$V/\mu s$	TYP	
Settling Time to 0.1%	$t_s$	$G = +1, 2V$ Output Step	5.3			$\mu s$	TYP	
Overload Recovery Time		$V_{IN} \cdot G = V_S$	2.6			$\mu s$	TYP	
<b>Noise Performance</b>								
Input Voltage Noise Density	$e_n$	$f = 1kHz$	27			$nV/\sqrt{Hz}$	TYP	
		$f = 10kHz$	20			$nV/\sqrt{Hz}$	TYP	

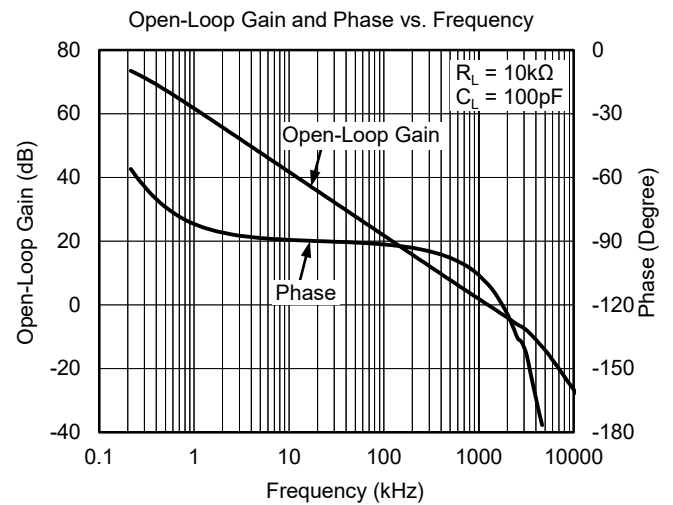
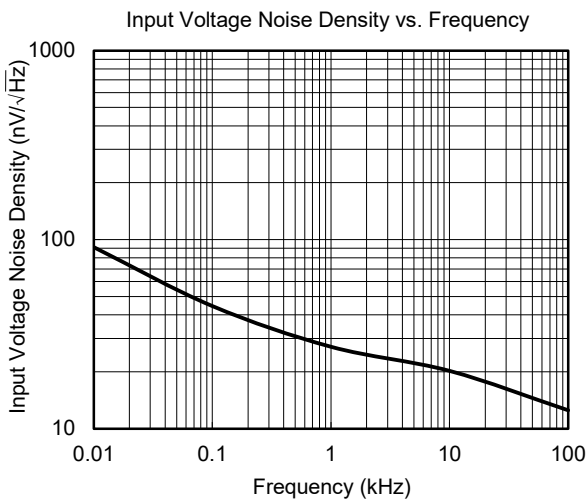
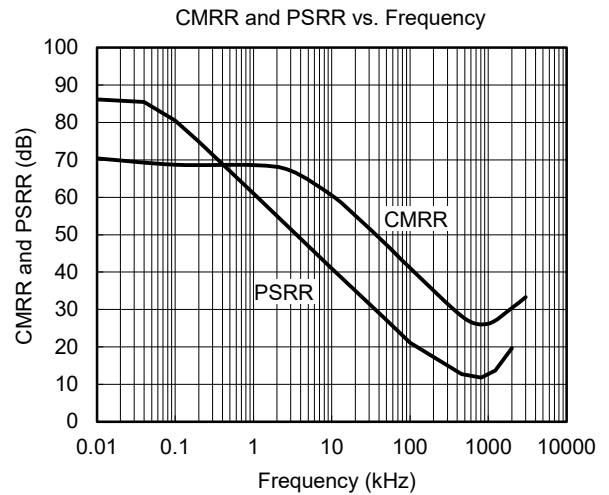
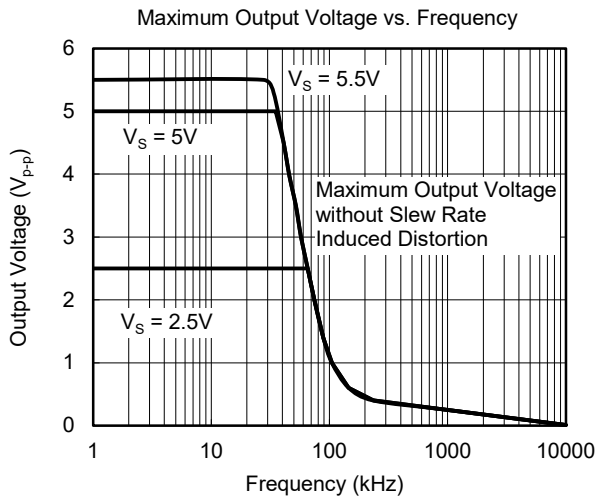
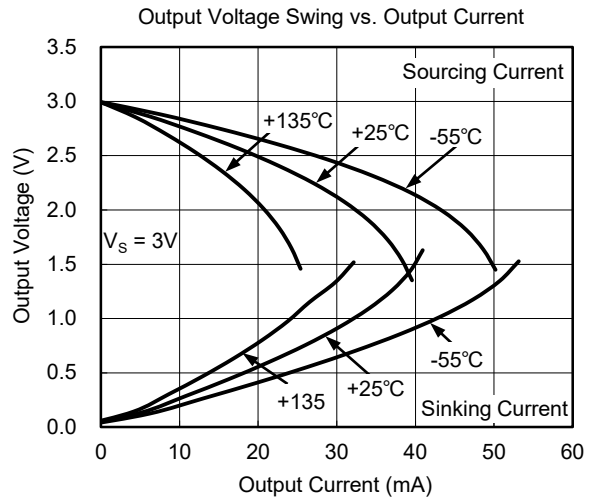
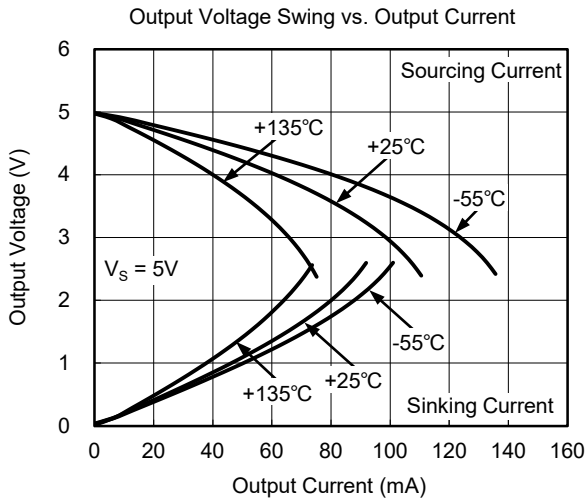
TYPICAL PERFORMANCE CHARACTERISTICS

At  $T_A = +25^\circ\text{C}$ ,  $V_S = 5\text{V}$ , and  $R_L = 100\text{k}\Omega$  connected to  $V_S/2$ , unless otherwise noted.



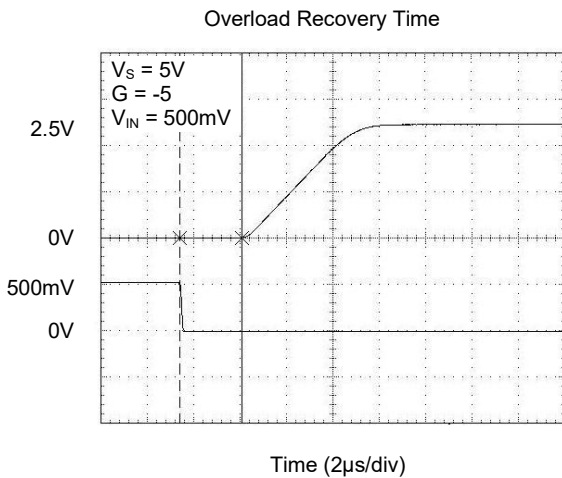
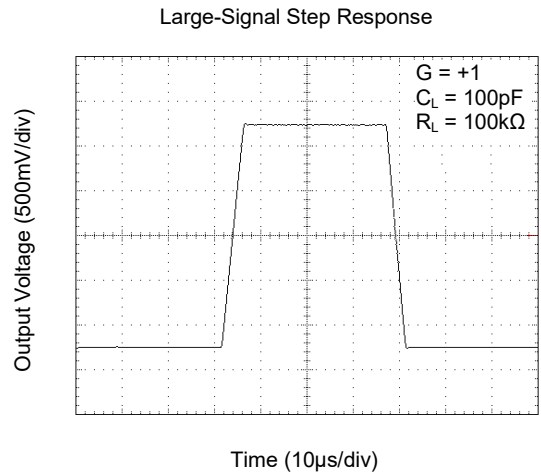
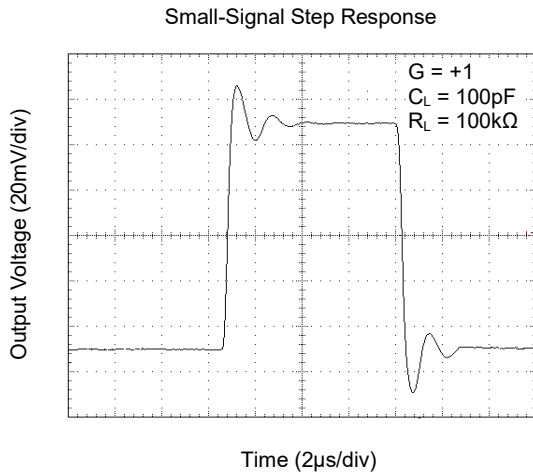
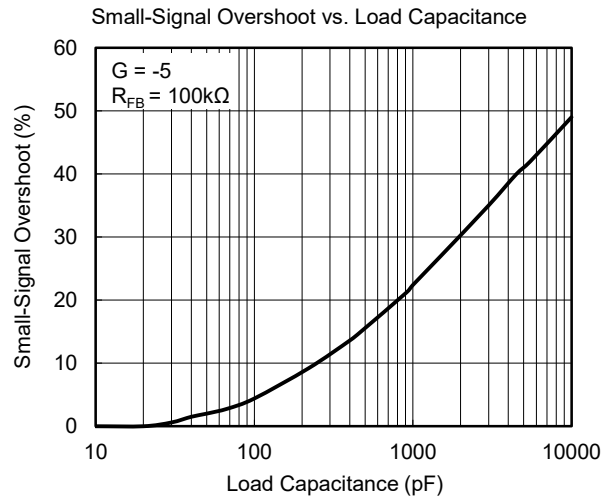
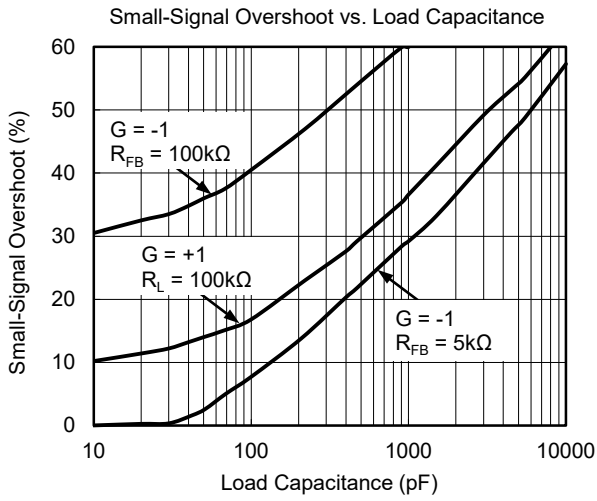
TYPICAL PERFORMANCE CHARACTERISTICS (continued)

At  $T_A = +25^\circ\text{C}$ ,  $V_S = 5\text{V}$ , and  $R_L = 100\text{k}\Omega$  connected to  $V_S/2$ , unless otherwise noted.



TYPICAL PERFORMANCE CHARACTERISTICS (continued)

At  $T_A = +25^\circ\text{C}$ ,  $V_S = 5\text{V}$ , and  $R_L = 100\text{k}\Omega$  connected to  $V_S/2$ , unless otherwise noted.



APPLICATION INFORMATION

Rail-to-Rail Input

When SGM321XC5 works at the power supply between 2.1V and 5.5V, the input common mode voltage range is from  $(-V_S) - 0.1V$  to  $(+V_S) + 0.1V$ . In Figure 1, the ESD diodes between the inputs and the power supply rails will clamp the input voltage not to exceed the rails.

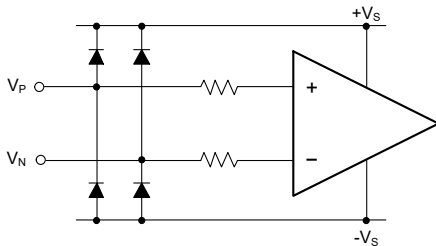


Figure 1. Input Equivalent Circuit

Rail-to-Rail Output

The SGM321XC5 supports rail-to-rail output operation. In single power supply application, for example, when  $+V_S = 5V$ ,  $-V_S = GND$ , 100kΩ load resistor is tied from OUT pin to  $V_S/2$ , the typical output swing range is from 0.005V to 4.997V.

Driving Capacitive Loads

The SGM321XC5 is designed for unity-gain stable for capacitive load up to 250pF. If greater capacitive load must be driven in application, the circuit in Figure 2 can be used. In this circuit, the IR drop voltage generated by  $R_{ISO}$  is compensated by feedback loop.

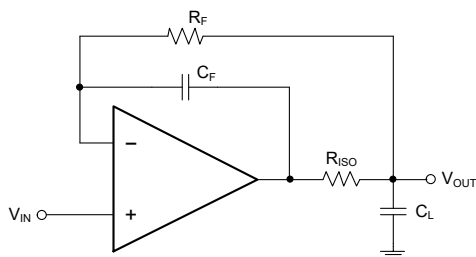


Figure 2. Circuit to Drive Heavy Capacitive Load

Power Supply Decoupling and Layout

A clean and low noise power supply is very important in amplifier circuit design, besides of input signal noise, the power supply is one of important source of noise to the amplifiers through  $+V_S$  and  $-V_S$  pins. Power supply bypassing is an effective method to clear up the noise at power supply, and the low impedance path to ground of decoupling capacitor will bypass the noise to GND. In application, 10µF ceramic capacitor paralleled with 0.1µF or 0.01µF ceramic capacitor is used in Figure 3. The ceramic capacitors should be placed as close as possible to  $+V_S$  and  $-V_S$  power supply pins.

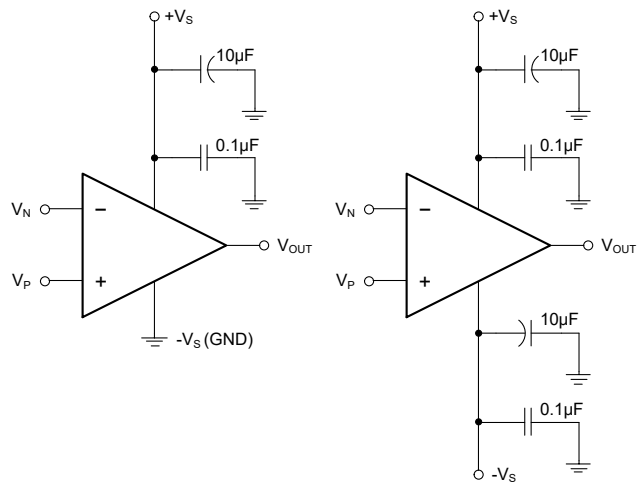


Figure 3. Amplifier Power Supply Bypassing

APPLICATION INFORMATION (continued)

Typical Application Circuits

Difference Amplifier

The circuit in Figure 4 is a design example of classical difference amplifier. If  $R_4/R_3 = R_2/R_1$ , then  $V_{OUT} = (V_P - V_N) \times R_2/R_1 + V_{REF}$ .

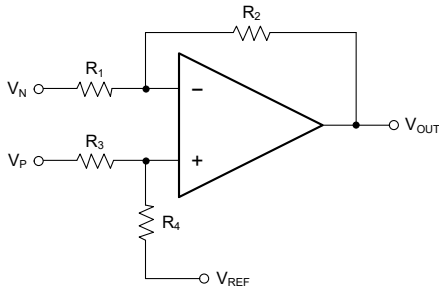


Figure 4. Difference Amplifier

High Input Impedance Difference Amplifier

The circuit in Figure 5 is a design example of high input impedance difference amplifier, the added amplifiers at the input are used to increase the input impedance and eliminate drawback of low input impedance in Figure 4.

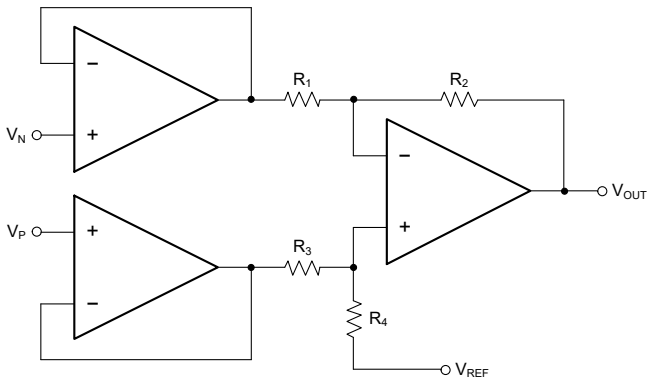


Figure 5. High Input Impedance Difference Amplifier

Active Low-Pass Filter

The circuit in Figure 6 is a design example of active low-pass filter, the DC gain is equal to  $-R_2/R_1$  and the -3dB corner frequency is equal to  $1/2\pi R_2 C$ . In this design, the filter bandwidth must be less than the bandwidth of the amplifier, the resistor values must be selected as low as possible to reduce ringing or oscillation generated by the parasitic parameters in PCB layout.

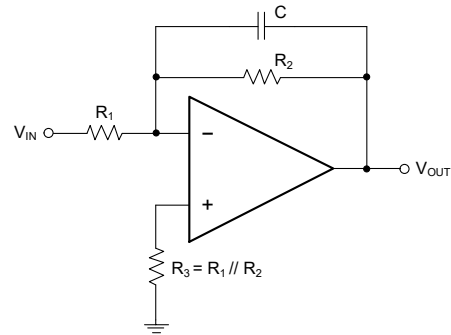


Figure 6. Active Low-Pass Filter



**REVISION HISTORY**

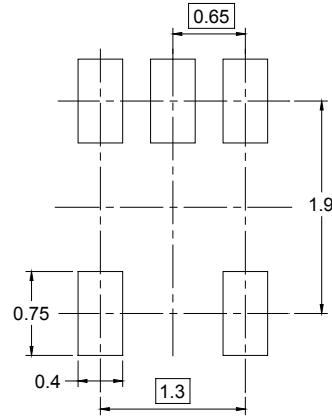
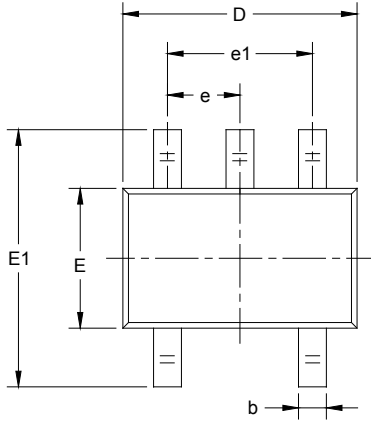
NOTE: Page numbers for previous revisions may differ from page numbers in the current version.

<b>Changes from Original (JUNE 2019) to REV.A</b>	<b>Page</b>
Changed from product preview to production data.....	All

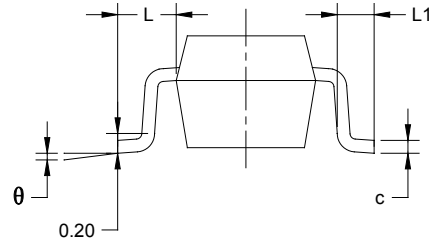
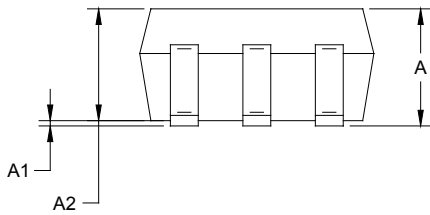
---

PACKAGE OUTLINE DIMENSIONS

SC70-5



RECOMMENDED LAND PATTERN (Unit: mm)

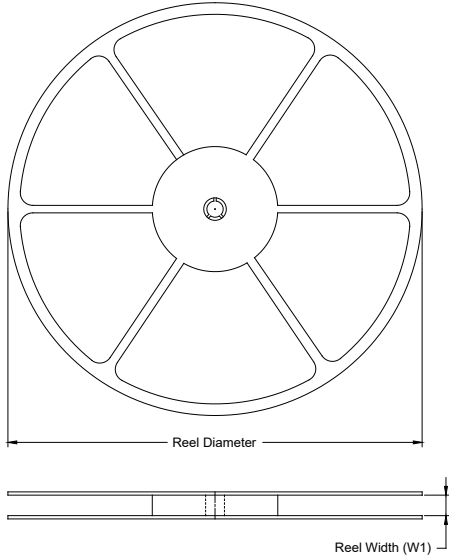


Symbol	Dimensions In Millimeters		Dimensions In Inches	
	MIN	MAX	MIN	MAX
A	0.900	1.100	0.035	0.043
A1	0.000	0.100	0.000	0.004
A2	0.900	1.000	0.035	0.039
b	0.150	0.350	0.006	0.014
c	0.080	0.150	0.003	0.006
D	2.000	2.200	0.079	0.087
E	1.150	1.350	0.045	0.053
E1	2.150	2.450	0.085	0.096
e	0.65 TYP		0.026 TYP	
e1	1.300 BSC		0.051 BSC	
L	0.525 REF		0.021 REF	
L1	0.260	0.460	0.010	0.018
$\theta$	0°	8°	0°	8°

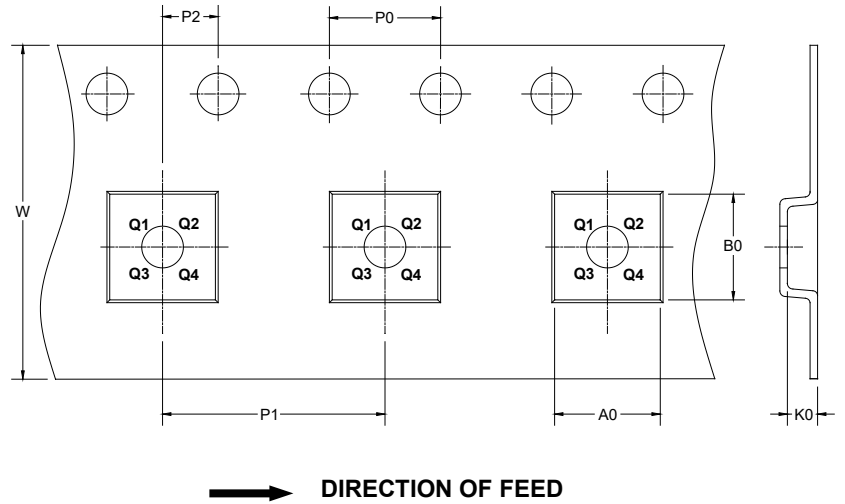
# PACKAGE INFORMATION

## TAPE AND REEL INFORMATION

### REEL DIMENSIONS



### TAPE DIMENSIONS



NOTE: The picture is only for reference. Please make the object as the standard.

### KEY PARAMETER LIST OF TAPE AND REEL

Package Type	Reel Diameter	Reel Width W1 (mm)	A0 (mm)	B0 (mm)	K0 (mm)	P0 (mm)	P1 (mm)	P2 (mm)	W (mm)	Pin1 Quadrant
SC70-5	7"	9.5	2.25	2.55	1.20	4.0	4.0	2.0	8.0	Q3

DD0001

# PACKAGE INFORMATION

## CARTON BOX DIMENSIONS



NOTE: The picture is only for reference. Please make the object as the standard.

## KEY PARAMETER LIST OF CARTON BOX

Reel Type	Length (mm)	Width (mm)	Height (mm)	Pizza/Carton
7" (Option)	368	227	224	8
7"	442	410	224	18

DD0002